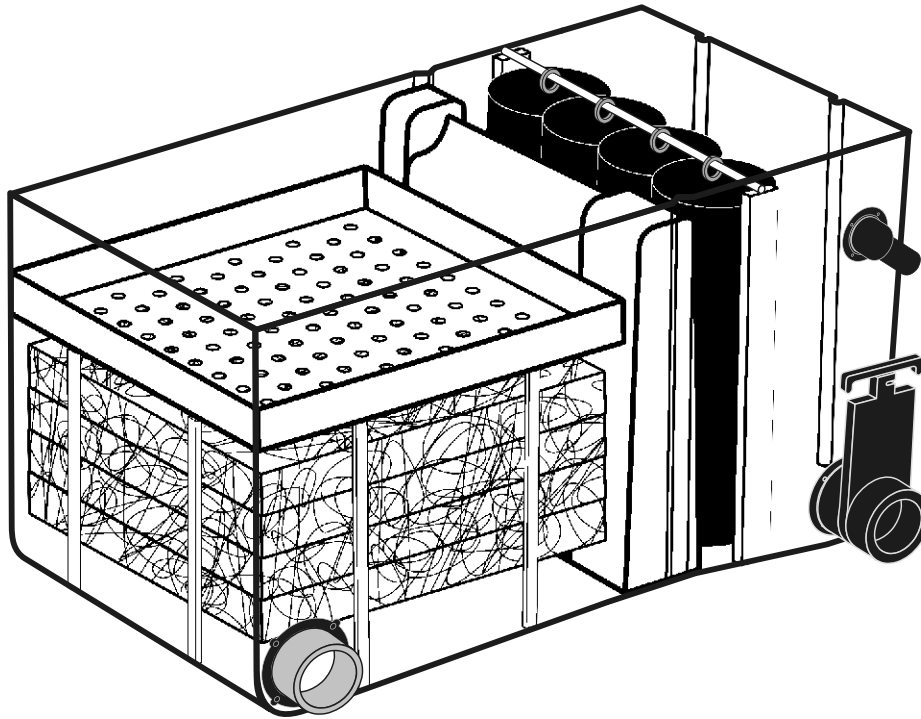


VISTACLEARTM

ADVANCED POND FILTRATION

Owner's Manual



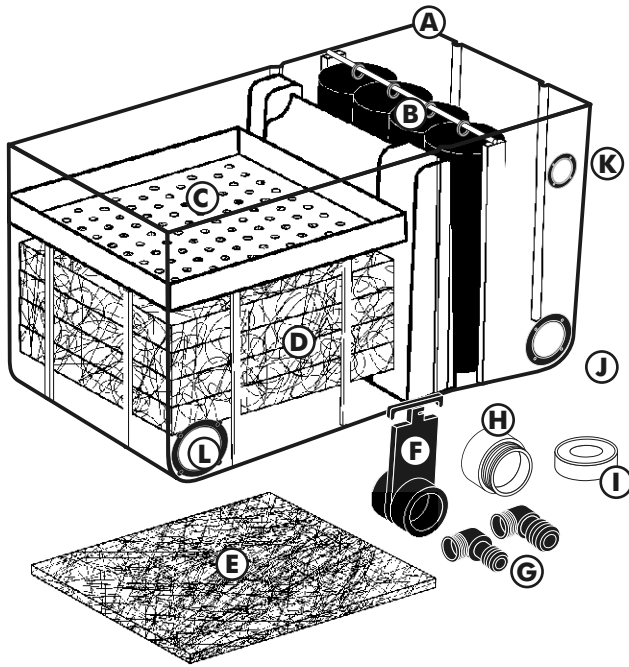
*Patio Ponds Ltd*TM

Building America's Best Filters Since 1987

2909 Urbana Pike • Ijamsville, MD 21754

Introduction

Thank you for choosing the VistaClear™ from Patio Ponds. This booklet will assist you in understanding the features of your filter, as well as installation and maintenance. Let's get started by familiarizing ourselves with the components of the filter.



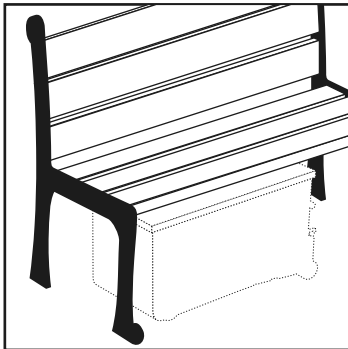
Parts & Features List

- A) Filter Body & Lid (not shown)
- B) Four brushes with support rod
- C) Drip tray
- D) Four Matala™ biological filter pads
- E) High-density green filter pad
- F) Drain valve
- G) 1" and 3/4" hose barb adapters
- H) 2" PVC male adapter
- I) Teflon thread tape
- J) Waste drain
- K) Inlet (from pump)
- L) Outlet (to pond)

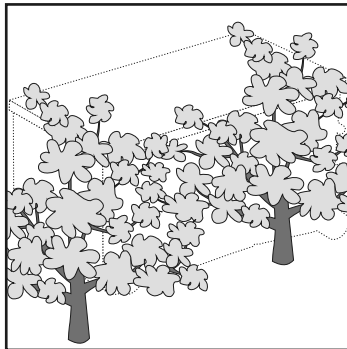
Matala is a trademark of BHBA Technology, Inc.

Locating Your Filter

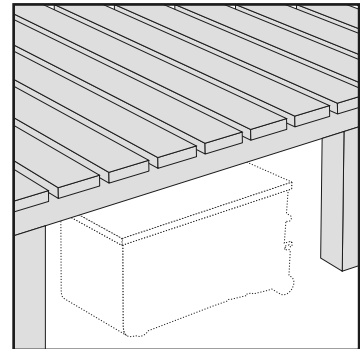
Before you begin assembly, it's a good idea to find a permanent home for your filter. Luckily, the VistaClear has been designed with a small size in mind, making it very easy to hide. Here are some common hiding places:



Under a bench



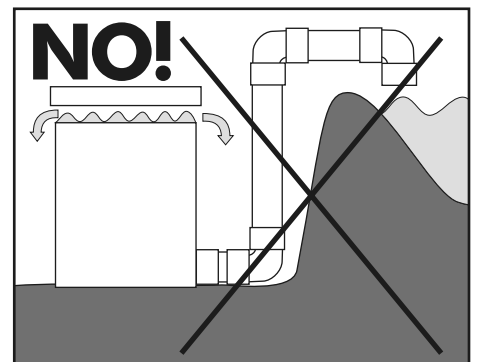
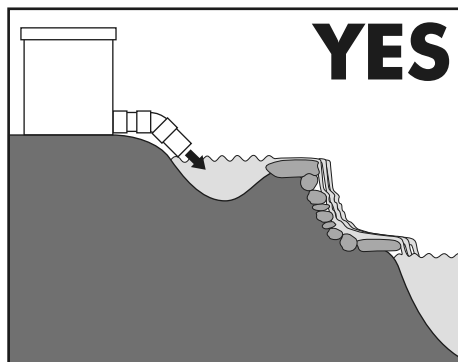
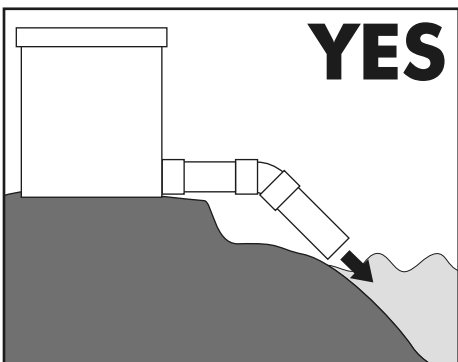
Behind shrubs



Under a deck

IMPORTANT!

There is only one rule to remember while placing your filter: The VistaClear must be placed so the outlet (L) is higher than the return to the pond. This is **VERY IMPORTANT**. The water from the filter **MUST** flow downhill - it isn't under pressure and cannot drain uphill.



Additional Parts Needed

Unfortunately, we can't include everything you need to install the VistaClear. You will need the following items from your local hardware store:

- PVC cement & primer
- 2" PVC pipe (length varies depending on application)
- 2" PVC elbows & connections (varies depending on application)

You will also need these items from your local pond dealer:

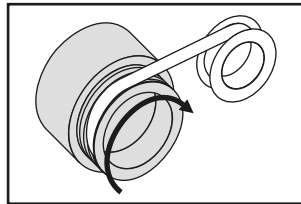
- Pond pump rated between 600 to 900 GPH at the height of your filter
- 3/4" or 1" flexible tubing (to connect pump and filter)

Assembly

Now the fun begins! If you're intimidated by all this, don't worry. The parts might have complicated names, but they're all pretty basic. If you can screw in a lightbulb, you'll have no problem assembling the VistaClear.

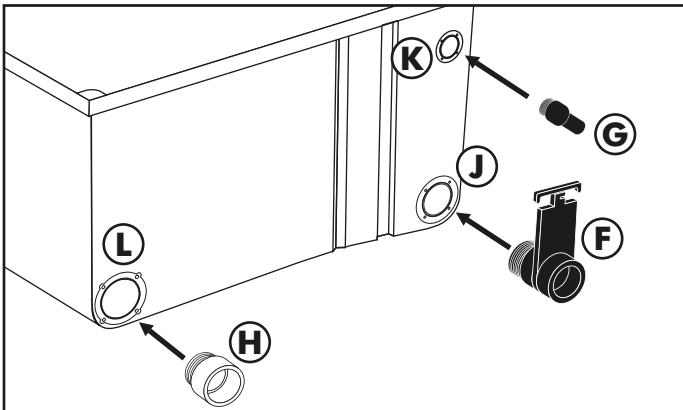
STEP 1: Wrap threaded fittings

Gather the threaded fittings (F),(G) & (H). Using Teflon tape (I), wrap the threads of each fitting 3-4 times to prevent leakage. Wrap the fittings like this:



STEP 2: Thread fittings into filter

Now that you have all the fittings taped, thread them into their connections. Thread the Hose Adapter (G) into the inlet (K). Thread the Drain Valve (F) into the Waste Drain (J). Thread the 2" PVC Male Adapter (H) into the Outlet (L). Hand-tighten only.



STEP 3: Level the filter

Place the VistaClear at its final location and use a spirit level to make sure the filter is level. **MAKE SURE THE OUTLET (L) IS HIGHER THAN THE POND!** If needed, you can prop the filter up with bricks or cinder blocks.

STEP 4: Construct return line to pond

This step may seem complex in writing, but in practice it is fairly easy to cut and glue PVC pipe. If you feel uncomfortable with this step, ask a friend or neighbor that has basic plumbing experience to help.

Using 2" PVC pipe, construct the return line to the pond. It's a good idea to lay out the line before gluing so you can place all your fittings and pipe properly. Remember that the return line **MUST** run downhill.

If you wish to remove the filter in the future for cleaning or storage, you may want to purchase a 2" rubber pipe coupling to splice into the line. Loosening the coupling will let you disconnect the filter from the return line when needed.

After you have completed the layout of your return line, you can begin gluing the pipework together with PVC cement. Be sure to prime the fittings ahead of time, and follow all instructions and precautions given by the cement manufacturer. Start by gluing the pipe into the 2" PVC Male Adapter (H). Continue to glue the return line together until completed.

STEP 5: Connect pump to filter

Take the flexible tubing attached to your pond pump and connect it to the Hose Adapter (G) on the VistaClear's inlet. Secure the tubing to the hose adapter with a hose clamp to prevent leakage.

STEP 6: Place filter elements

Place the brushes (B) on their rod and hang. Fit Matala™ (D) in filter under the drip tray (C). If desired, place the green pad (E) in the drip tray for additional mechanical filtration.

STEP 7: Test for leaks

Plug in your pond pump and allow the VistaClear to fill with water. When the filter is running, inspect all fittings and joints for leaks.

Your VistaClear is now installed!

Maintenance

Nobody likes cleaning their pond filter, so we've designed the VistaClear so it can be cleaned quickly & easily. Every 1-2 weeks (or as needed), clean the VistaClear like so:

- 1) Shut off water supply to filter.
- 2) Grab the rod and shake the brushes vigorously to dislodge dirt.
- 3) Open the drain valve and allow muck to exit filter.
- 4) If needed, remove the green filter pad from the VistaClear and spray off dirt.
- 5) Close drain valve, turn on water supply to filter. To reduce splashing, place the brushes in front of the inlet.

The Matala™ filter pads will not need cleaning under normal circumstances. If they should become clogged, rinse them in POND WATER ONLY. This will prevent shock to the beneficial bacterial colony present on the filter pad. NEVER HOSE OFF THE MATALA™.

The dense green filter pad is designed to trap fine debris. It can clog quickly in very dirty conditions and may need to be cleaned often at first. Should the pad continue to clog rapidly, only use it occasionally or as needed. Replacement pads are available from your pond dealer.

Frequently Asked Questions

What kind of pump should I use? Any quality, oil-free submersible or external pump rated at 600-900 GPH is adequate. Choose the most efficient pump you can afford; it will save you money and help protect the environment. Your pond dealer can help you decide which pump to use.

My filter overflows. Why? Your pump is pumping too much water, or the return line is restricted. Make sure to use at least 2" PVC pipe on the return line to your pond, and do not pump more than 900 gallons per hour into the VistaClear.

How many fish can I keep in my pond? As a rule, keeping less fish is better. Keeping too many fish in your pond can overwhelm your filter, resulting in poor water quality and increased maintenance. Poor water quality will stunt the growth of your fish and promote harmful diseases. The VistaClear is capable of handling about 8-10 pounds of fish, which translates into about 40 adult goldfish or about 4-6 adult koi. Keeping your stocking levels at or below these levels is strongly recommended.

How much food should I feed my fish? Feed your fish what they can consume in about 1-2 minutes, two to three times daily during the spring and summer. Feeding too much food is wasteful; the fish won't get any extra nutrition and the water quality will suffer as result.

How often should I change the water in my pond? When the pond is properly stocked and there is an adequate amount of rainfall, you should only need to change 25-30% of the pond 2-3 times a season. To conserve water, use the old pond water to water your lawn and garden. Always use a dechlorinator that removes chlorine and chloramine, and remember: topping off for evaporation doesn't count as a water change!

Should I drain all the water to clean out my pond? Although recommended by some, Patio Ponds does not advocate draining and scrubbing the pond at any time. This process is time consuming, wasteful and harmful to the pond environment. A pond grows and becomes more stable over time; completely draining the pond prevents it from maturing. This only leads to more problems in the long run.

My water is still green! What's wrong? It takes 4-6 weeks at water temperatures over 60°F for enough bacteria to colonize the filter and keep the water clear. This process is never exact, so it may take a while for the filter to establish. Patience is more than a virtue – it's an easy way to let your pond clear.

Do not disturb the filter while it is establishing, and NEVER clean the biological pads in the filter with anything other than pond water. Hosing off the biological pads will kill your colony of nitrifying bacteria and prevent your water from clearing. The VistaClear is designed to remove wastes before the biological pads, so cleaning them is not necessary.

If the pond still remains green, make sure the pond isn't overstocked or overfed. Too many fish or too much food will contribute to more algae. Reduce feeding and thin out your fish population as needed. Algae can also be caused by too much rotting debris in the pond. Be sure to remove all leaves and other wastes from the pond periodically to prevent build-up. A wet/dry vacuum is perfect for this task.

Do I need a UV Clarifier? In most cases, a UV Clarifier is not needed to maintain clear water. If you live in a hot climate, or simply wish to shorten the duration of spring algae blooms, a UV Clarifier may be helpful. Stocking sensibly and avoiding overfeeding will help reduce the need for a UV Clarifier.

Should I keep rocks in the bottom of my pond? Even though it may look aesthetically pleasing at first, placing rocks on the bottom of the pond quickly creates problems. Rocks trap wastes that normally would be removed by the filter. As these wastes rot, they promote algae and disease. These rocks cannot be cleaned easily, even if the pond is drained completely. The pond will be coated with a layer of green after a few seasons regardless, so save yourself the trouble and skip the rocks.

Additional questions? Call or write Patio Ponds today:

Patio Ponds Ltd.
2909 Urbana Pike
Ijamsville, MD 21754
Office phone: 301-874-8440
Office hours: Tue-Fri 10 AM - 5 PM Eastern